

**Ork Hunter**

**NIGHT HM-5 night vision monocular**

**User Manual**

***Ork Hunter***

## Table of Contents

<b>1.</b>	<b><i>Product overview</i></b> .....	<b>3</b>
<b>2.</b>	<b><i>Specification</i></b> .....	<b>3</b>
<b>3.</b>	<b><i>About Charge</i></b> .....	<b>4</b>
<b>4.</b>	<b><i>Inserting Memory Card</i></b> .....	<b>4</b>
<b>5.</b>	<b><i>Basic Operation</i></b> .....	<b>5</b>
<b>5.1.</b>	<b>Turn ON and turn OFF</b> .....	<b>5</b>
<b>5.2.</b>	<b>New and special color effects</b> .....	<b>5</b>
<b>5.3.</b>	<b>Eyepiece and objective adjustment</b> .....	<b>5</b>
<b>5.4.</b>	<b>Changing the modes</b> .....	<b>6</b>
<b>5.5.</b>	<b>Taking pictures</b> .....	<b>6</b>
<b>5.6.</b>	<b>Recording Video</b> .....	<b>7</b>
<b>5.7.</b>	<b>Device power OFF</b> .....	<b>8</b>
<b>5.8.</b>	<b>Poor image</b> .....	<b>8</b>
<b>5.9.</b>	<b>IR – LED (Night vision function)</b> .....	<b>8</b>
<b>5.11.</b>	<b>Setting in photo and video mode</b> .....	<b>8</b>
<b>5.12.</b>	<b>Playback</b> .....	<b>9</b>
<b>6.</b>	<b><i>To use method of tripod mount</i></b> .....	<b>10</b>
<b>7.</b>	<b><i>Download files to PC</i></b> .....	<b>10</b>
<b>8.</b>	<b><i>Using a card reader</i></b> .....	<b>10</b>
<b>9.</b>	<b><i>Connecting the device to a PC through the USB cable</i></b> .....	<b>10</b>
<b>10.</b>	<b><i>Notes on cleaning</i></b> .....	<b>11</b>
<b>11.</b>	<b><i>Warm tips</i></b> .....	<b>11</b>

## 1. Product overview

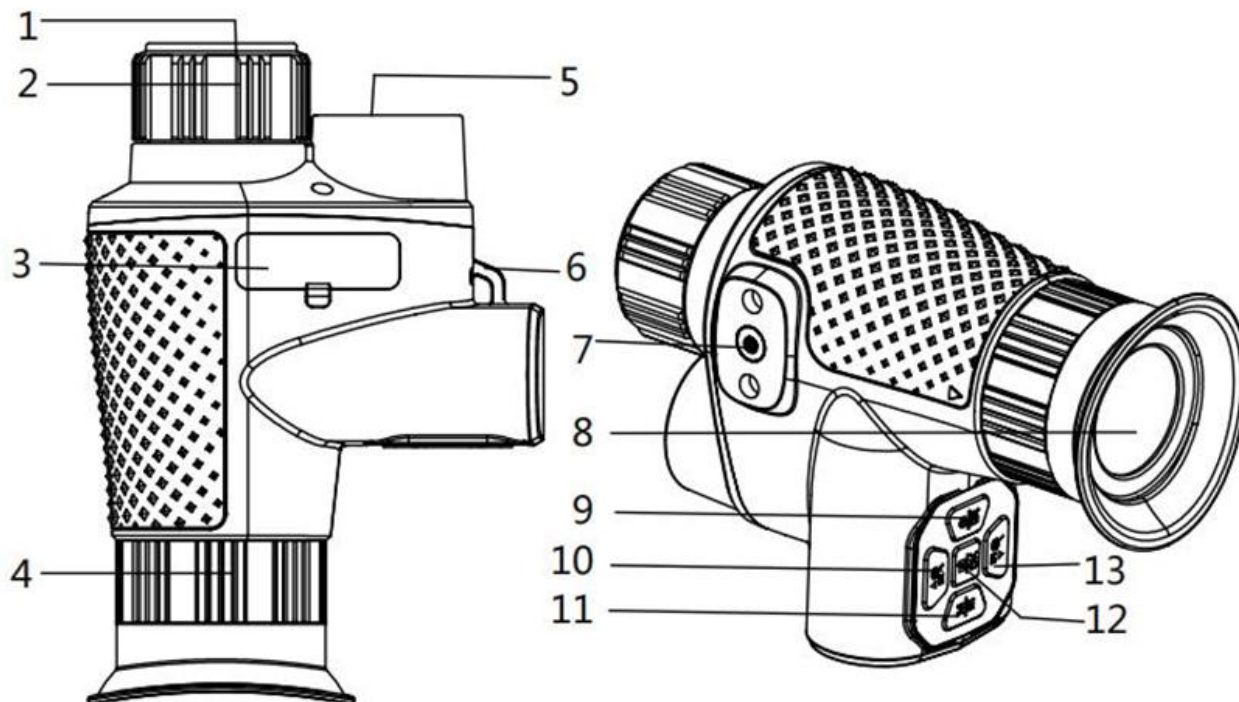


Fig.1. Product overview

1. Objective lens
2. Objective manual focus wheel
3. USB interface/ Reset port/ Charging indicator red light / Memory card slot
4. Eyepiece diopter adjusting wheel
5. Infrared light transmitter
6. Strap hole
7. Bracket setting screw
8. Eyepiece/ Display screen
9. IR Up/Zoom in/Up Button
10. Menu/ Mode Button
11. IR Down/Zoom out / Down Button
12. Shutter /OK button
13. Power Button/ Effects button

## 2. Specification

Photo Resolution	36M、12M、8M、5M、3M、2M、1M、360P Night Vision Enhancement (Double Night Vision brightness)
Video Resolution	4K、FHD、HD、360P Night Vision Enhancement (Double Night Vision brightness)

Video frame rate	Automatic / 5 FPS / 10 FPS / 15 FPS / 20 FPS / 25 FPS / 30 FPS, can choose according to different scenarios set up different frame rate (the lower frame rate, the higher the night vision brightness)
Lens	F1.2 Large aperture, f=25mm, automatic infrared filter, FOV=10°
Eyepiece	Immersive eyepiece design, optimum eye, reduces external stray light, adjustable vision compensation (refractive adjustment range $\pm 4$ , that is, 400 adjustment compensation for myopia/ hyperopia)
Display	It is equipped with a built-in ultra-high-definition large screen 390(RGB)* 390, with 7 levels of brightness adjustment
Memory card	micro SD card, up to 256GB
USB port	TYPE-C
Auto Power Off	Off/1min/3min/5min/10min
Infrared light	3W, 850nm strong infrared spotlight, 7 levels of infrared adjustment
Observation distance	300 to 400 meters in total darkness, 1 meter to infinite distance in low light
Digital zoom	8x digital zoom
Color effects	Color, black and white, luminous green, infrared light
Power supply	2500MAH polymer lithium battery, rechargeable, external mobile power supply
Data stamp	Supports setting date and time. Date and time stamp on photo and video files
Operation buttons	5 buttons
Operating temperature	-20°C to +50° C
Storage temperature	-30 ° C to +60°C
Size and weight	around.108*74*44mm/143g
Accessories	USB cable, manual, portable headband stand with straps

### 3. About Charge

The device has a built-in rechargeable battery, please fully charge it before first use.

Please use a universal USB power adapter (DC 5V/2A) (power adapter not included) to charge this device. When charging, the charging indicator on the left side of the TYPE-C USB port will turn red; When fully charged, the charging indicator turns off. (If the device is completely out of power, it can be fully charged in about 6 hours).

### 4. Inserting Memory Card

- Please prepare a Class 10 Micro card (up to 256GB) in advance.
- Open the card slot cover, you will see the card slot.
- Insert the Micro SD card into the slot. Make sure the direction is right. Never insert the card forcibly.

- Format the Micro SD card, to improve battery life and shutter speed as well as improve the compatibility of Micro SD card.
- To remove the card from the memory card slot of the device, press the edge of the memory card in gently, the card will pop out.

**Note:** If the Micro SD card is not inserted or the card is not inserted correctly, the Micro SD card prompt icon, the number of photos that can be taken or the recording time will not appear on the display when the device is started. When the Shutter/OK button is pressed, the prompt "No card" will appear.

## 5. Basic Operation

### 5.1. Turn ON and turn OFF

Long press the Power/ Effects button for 3 seconds to turn on the device and long press the Power/ Effects button again for 3 seconds to turn off the night vision device.

### 5.2. New and special color effects

In normal color mode and night vision black and white mode with infrared lights on, pressing the Power/ Effects button can respectively activate the color special effects function.

**Steps:**

Short press "Power button" ->Luminous Green Color Effect.

Short press "Power button" ->Infrared light Color Effect.

Short press "Power button" ->Get back to the normal color mode.

### 5.3. Eyepiece and objective adjustment

After turning on the device, short press the Menu/ Mode button to enter the menu. Put your eyes close to the silicone cover of the eyepiece and observe the clarity of the menu characters on the display screen. Then, adjust the eyepiece refractive focusing wheel according to your vision until the menu display is as clear as possible (for myopia, turn the eyepiece refractive focusing wheel to the right; for hyperopia, turn it to the left; for normal vision, it is approximately adjusted to the middle position). Short press Menu/ Mode button again to exit the menu. Then look at the actual scene again. Please adjust the focusing wheel according to the distance to focus until the image on the screen is the clearest.




If the light is insufficient or it is used at night, please short press the IR Up/Zoom in/Up Button to turn on the infrared light. Please select the IR gear according to the current light conditions. The darker the light, the higher the gear adjustment should be. (When the infrared light is turned on and the objective lens focusing wheel needs to be adjusted, it is recommended to rotate the focusing wheel with the thumb and index finger from the right side of the night vision instrument, and try not to rotate the focusing wheel from the left side of the night vision instrument, so as not to block the infrared light by the hand and affect the distance and clarity of night vision.) Long press the IR Up/Zoom in/Up Button or IR Down/Zoom out / Down Button to zoom.



Fig.2. Eyepiece and objective adjustment

## 5.4. Changing the modes

The night version has 3 different modes: photo mode, video mode and playback mode. Press the MENU button can change mode.

	Photo Mode	For taking still photos.
	Video Mode	For recording video.
	Playback Mode	For playing the recorded files.

## 5.5. Taking pictures

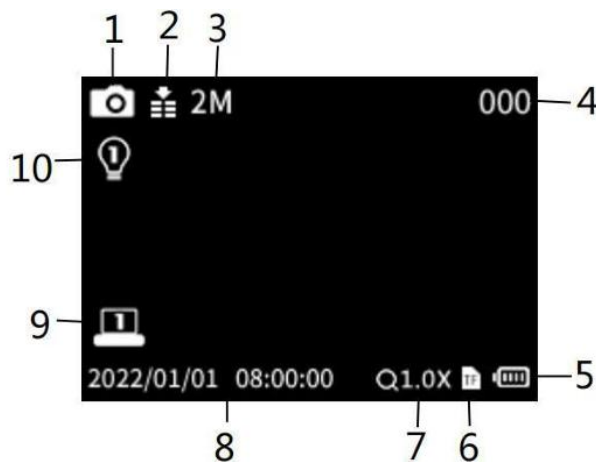


Fig.3. Taking pictures

- |                            |                                       |
|----------------------------|---------------------------------------|
| 1. Photo mode              | 2. Night vision sensitivity           |
| 3. Photo resolution        | 4. Number of photos that can be taken |
| 5. Battery status          | 6. Micro SD card prompt               |
| 7. Digital zoom indication | 8. Shooting time stamp                |
| 9. Display brightness      | 10. Infrared light gear               |

- Turn on the device, the default is Video mode. Please long press the Menu/ Mode Button to switch to Photo mode.
- Zooming: Long pressing the IR Up/Zoom in/Up Button or IR Down/Zoom out / Down Button to zoom in or zoom out the image. The value of magnification level appears on the LCD screen.
- Take a still photo.

- View your subject via the LCD screen.
- Adjust the focus by turning the focus wheel.
- For night or insufficient light use, turn on the IR by pressing the IR Up/Zoom in/Up Button. Increase the brightness by pressing the button repeatedly. It has 7 levels of brightness. The brightness can be adjusted according to your needs. The light is dark, gear to adjust to the higher. Press the Shot/OK button to take a photo.

## 5.6. Recording Video

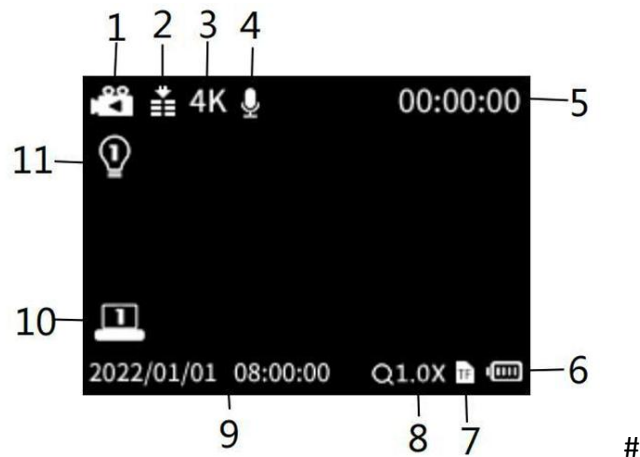


Fig.4. Recording video

- |                                   |                                |
|-----------------------------------|--------------------------------|
| 1. Video mode                     | 2. Night vision sensitivity    |
| 3. Video resolution               | 4. Recording switch indication |
| 5. Available video recording time | 6. Battery status              |
| 7. Micro SD card prompt           | 8. Digital zoom indication     |
| 9. Shooting time stamp            | 10. Display brightness         |
| 11. Infrared light                |                                |

- Turn on the device, the default is Video mode. If not, long press the Menu/ Mode Button to switch to Video mode.
- Zooming: Long pressing the IR Up/Zoom in/Up Button or IR Down/Zoom out / Down Button to zoom in or zoom out the image. The value of magnification level appears on the LCD screen.
- Start to record video.
  - View your subject via the LCD screen.
  - Adjust the focus by turning the focus wheel.
- For night or insufficient light use, turn on the IR by pressing the IR Up/Zoom in/ Up Button. Increase the brightness by pressing the button repeatedly. It has 7 levels of brightness. The brightness can be adjusted according to your needs, darker and need adjusted more brightness
  - Press the Shutter /OK button to start to record. The record duration will be shown on the LCD screen.
- Finish recording.
  - Press the Shot button again to stop recording.
  - The device will stop recording automatically once capacity of the memory card is full.

## 5.7. Device power OFF

1. If the device is fully charged and cannot be turned on, or the screen cannot move during use and cannot be turned off, please insert a small hard strip such as toothpick or wire into the RST hole, when you feel resistance, press it then turn the device on.
2. Please use an universal USB power adapter\* (DC 5V/2A) (\*not included) to charge this device. After the TYPE-C USB is connected to the device, when the red light of the charging indicator of the device is on, long press the power button to turn on the device , unplug the TYPE-C USB to turn off the device ,which means that the built-in battery has no power and it needs to be fully charged.

## 5.8. Poor image

- If you wear glasses, remove them when using the device.
- If at day, make sure the IR is off (if IR is on, screen is black and white or the screen is colored).
- If at night, make sure you have turned on the IR, press IR up (if IR is on, screen is black and white).
- Adjust the focus by slowing turning the Focus wheel, make sure it is focused.

## 5.9. IR – LED (Night vision function)

1. About manual focusing: The user can manually adjust the focusing wheel according to the actual observation distance to adjust the best focal length until the display is clear.
2. In photo/video mode, if you need to observe a dark environment, press the IR Up/Zoom in/Up Button to turn on the infrared light and the image will become black and white. The infrared light has 7 gears, which can be increased by pressing the IR Up/Zoom in/Up Button and reduced by pressing the IR Down/Zoom out/down button. (If the battery voltage is not enough, the IR LED level will down automatically. IR level can up to 7 levels when the battery power is full. If only left half power, the level just can up to 5, it can only be opened to 3 when the battery is 1 grid and it cannot be turned on when it is lower than 1 grid).

## 5.10. Setting in photo and video mode

Short press Menu/ Mode button in photo or video mode, enter the menu to change the settings.

Menu	Function
Video Resolution	Set the video resolution. Options:360P enhanced night vision/HD/ FHD/4K
Photo Resolution	Set the photo resolution. Options:360P enhanced night vision/1M/ 2M/3M/ 5M /8M /12M/36M.
Night-vision sensitivity	Choose the night vision sensitivity. Options: [Low]/[Middle]/[High].

Screen brightness	Adjust the screen brightness as required. Options: [Level1]/[Level 2]/[Level 3]/[Level  4]/ [Level 5]/[Level 6] /[Level 7].
Display Mode	The display size can be selected according to your needs. Options [Full]-- Full screen (Only the picture displayed on the screen is slightly elongated and deformed, the actual photos and video files taken are normal).  [Normal]--16:9 Narrow screen display.
Video Frame	You can set different frame rates according to different scenes (the lower the frame rate, the higher the night vision brightness, but the more sluggish the video picture when moving). Options: Auto /5FPS/10FPS/15FPS/ 20FPS/ 25FPS /30FPS
Audio	ON/Off.
Date Tag	ON/Off.
Time Setting	Set the date and time of device. Press the up or down button to adjust the date or time, press the Shutter /OK button to move the cursor between settings, select "Yes" and press the Shutter /OK button to complete all Settings.
Auto power-off	Set the time to shut down the device for power saving if the device is idle. Options:[Off]/[1min]/[3min]/[5min]/[10min]
Language Setting	Set OSD (on-screen) language. Options: [English]/[Русский]/ [Français] / [Deutsch]/[Italia]/[español]/ [Portugués]/ [Nederlands]/[čeština]/[Polski]/ [Türkiye]
Power Frequency	Set the light source frequency to match frequency of electricity supply in local region to prevent interference. Options:[50Hz]/[60Hz]
Format	Format your Micro SD card. Format Micro SD will delete all files including the protected files. Please copy the important files before confirm. Options: [Yes]/[No].
Restore System	Restore the setup to factory default settings. Options: [Yes]/[No].
Version	User can see the firmware version information.

### 5.11. Playback

- Turn on the device, press the Menu/ Mode button to switch to playback mode.
- Press Up/Down button to view photos and video files.
- Playback the video
  - Press the Shutter/OK button to start playing the video files.
  - Press the Shutter/OK button again to have a pause.
  - Press Menu/ Mode button to stop the current video playing.

Press Menu/ Mode button in playback mode, the screen will display the playback menu. Press Up/Down button to scan lock or delete. And press Shot button to select one to enter the sub-menu.

**Playback menu list :**

Menu	Function
Delete	Delete the current file in memory card. Options:[Yes]/[No].
Delete All	Delete All Delete all files in memory card. Options:[Yes]/[No].
Lock This	Lock This Lock the current file in memory card. Options:[Yes]/[No].
Unlock This	Unlock the current file in memory card. Options: [Yes]/[No].
Lock All	Lock the all files in memory card. Options: [Yes]/[No].
<u>Unlock All</u>	Unlock All Unlock the all files in memory card. Options: [Yes]/[No].

**5. To use method of tripod mount**

Can use the standard tripod on the market (shipping not included, need to purchase).

**6. Download files to PC**

There are two ways to download files from the device to a computer:

1. By inserting the memory card into a card reader.
2. By connecting the device to a computer using the supplied TYPE-C USB cable.

**7. Using a card reader**

1. Eject the memory card from the device and insert it into a card reader. Then connect the card reader to a computer.
2. Open [My Computer] or [Windows Explorer] and double-click the removable disk icon that represents the memory card.
3. Copy images from the card into a directory of your choice on the computer's hard disk.

**8. Connecting the device to a PC through the USB cable**

1. Turn on the night vision. Connect it to a computer through the supplied TYPE-C USB cable.
2. Select "Memory" on the screen of device, press the OK button to enter the removable disk mode.
3. Open [My Computer] or [Windows Explorer]. A "Removable Disk" appears in the drive list. Double click the "Removable Disk" icon to view its contents. Files stored on the camera are located in the folder named "DCIM".
4. Copy the photos or files to your computer.

## **9. Notes on cleaning**

Before cleaning the device, disconnect it from the power supply! Only use a dry cloth to clean the exterior of the device. To avoid damaging the electronics, do not use any cleaning fluid. Clean the eyepieces and/or lenses only with a soft, lint-free cloth, (e.g. microfibre cloth). To avoid scratching the lenses, use only gentle pressure with the cleaning cloth. Protect the device from dust and moisture. Store it in a bag or box.

## **10. Warm tips**

1. The lens of this night vision device has a small Angle of view, which is mainly suitable for viewing long-distance environment.
2. This product is a monocular night vision device; In order to ensure the viewing effect, the eye must be close to the eyepiece when using, it is recommended to close the other eye.