

Ork Hunter
NIGHT B-7 Night Vision Binoculars

User Manual

Ork Hunter

Table of Contents

1.	<i>Product overview</i>	3
2.	<i>Specification</i>	3
3.	<i>About Charge</i>	4
4.	<i>Inserting Memory Card</i>	4
5.	<i>Basic Operation</i>	5
5.1.	Turn ON and turn OFF	5
5.2.	Night Vision Enhanced Mode	5
5.3.	New and Special Color Effects	5
5.4.	Adjust the display	5
5.5.	Distance measurement	5
5.6.	Changing the modes	6
5.7.	Taking pictures	6
5.8.	Recording Video	7
5.9.	Device power OFF	8
5.10.	Poor image	8
5.11.	Setting in photo and video mode	8
5.12.	Playback	9
6.	<i>Download files to PC</i>	10
7.	<i>Using a card reader</i>	10
8.	<i>Connecting the device to a PC through the USB cable</i>	10
9.	<i>Notes on cleaning</i>	10
10.	<i>Warm tips</i>	10

1. Product overview

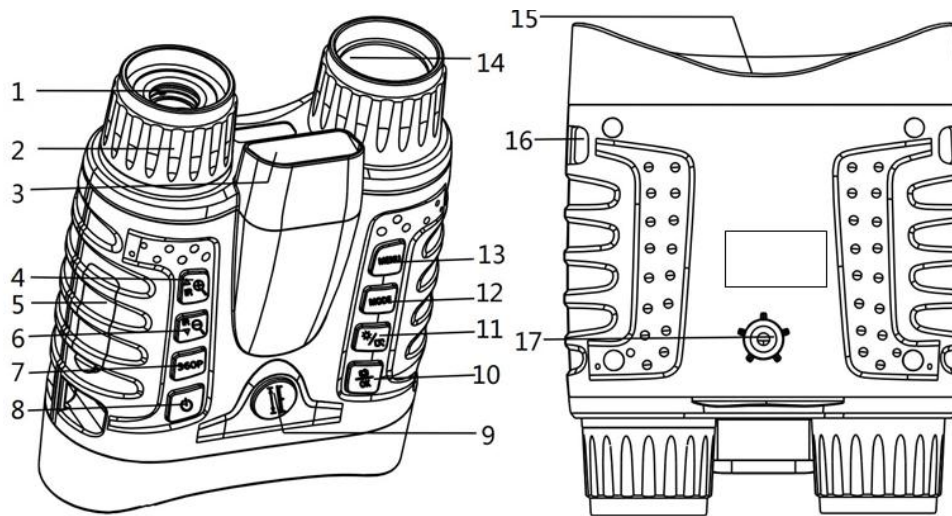


Fig.1. Product overview

1. Objective Lens
2. Objective focus wheel
3. Ranging module
4. LED Up/Zoom in/Up Button
5. USB port/charging indicator/reset port/ memory card slot cover
6. LED Down/Zoom out/ Down Button
7. 360P night vision enhancement
8. Power Button
9. Ranging button
10. Shutter/OK button
11. Color Effect / Screen Brightness Adjustment Button
12. Mode Button
13. Menu Button
14. IR Transmitter
15. Eyepiece/Display
16. Strap Hole
17. Tripod fixing screw

2. Specification

Photo resolution	360P enhanced night vision, 36M, 12M, 8M, 5M, 3M, 2M, 1M
Video resolution	360P enhanced night vision, HD, FHD, 4K
Video frame rate	Auto /5FPS/10FPS/15FPS/ 20FPS/25FPS/30FPS. different frame rate can be selected according to different scenes (the lower the frame rate, the higher the night vision brightness)
Lens	F1.2 large aperture, F =25mm, automatic infrared filter

Lens angle	FOV=10°, diameter 24mm
Display	3.2" 480*854 HD TFT, 7 levels of brightness adjustment
Memory card	up to 256GB
USB port	TYPE-C
Ranging Range	3~350m for buildings
Ranging Accuracy	±1m for <100m; ±D×1% for 100~350m (target reflectivity >30%)
Ranging Conditions	Targets with medium reflectivity (e.g., light-colored walls); reflective surfaces perpendicular/nearly perpendicular to the laser; avoid rain, snow, fog, and direct sunlight
Ranging Cursors	8 types, switchable
Auto Power Off	1 minute /3 minutes /5 minutes /10 minutes /OFF
Infrared light	3W, 850nm strong infrared spotlight, 7 levels of infrared adjustment
Viewing distance in complete darkness	about 400-500 meters
Low-light sight distance	3 meters to infinity
Color effects	color, black and white, luminous green, infrared light
Digital zoom	Digital zoom 8x
Power supply	4500 mAh lithium batteries
Date stamp	Supports setting date and time. Date and time stamp on photo and video files
Operation button	9 buttons
Operating temperature	-20 °C to + 50 °C
Storage temperature	30 °C to + 60 °C
Size	145*120*55mm

3. About Charge

The device has a built-in rechargeable battery, please fully charge it before first use.

Please use a universal USB power adapter (DC 5V/2A) (power adapter not included) to charge this device. When charging, the charging indicator on the left side of the TYPE-C USB port will turn red; When fully charged, the charging indicator turns off. (If the device is completely out of power, it can be fully charged in about 4 hours).

4. Inserting Memory Card

- Please prepare a Class 10 Micro card (up to 256GB) in advance.
- Open the card slot cover, you will see the card slot.
- Insert the Micro SD card into the slot. Make sure the direction is right. Never insert the card forcibly.

- Format the Micro SD card, to improve battery life and shutter speed as well as improve the compatibility of Micro SD card.
- To remove the card from the memory card slot of the device, press the edge of the memory card in gently, the card will pop out.

Note: If the Micro SD card is not inserted or the card is not inserted correctly, after power on it will prompt "NO CARD" and the icon of the card with X is displayed in the lower right corner. The number of pictures that can be taken or the recording time at the top right will be displayed as 0. When pressing the Shutter/OK button, the prompt "No card " will appear again.

5. Basic Operation

5.1. Turn ON and turn OFF

Long press the Power/ Effects button for 3 seconds to turn on the device and long press the Power/ Effects button again for 3 seconds to turn off the night vision device.

5.2. Night Vision Enhanced Mode

Night vision enhancement mode is twice as bright as normal night vision mode.

In photo or video mode, select "360P enhanced night vision" in the Video/Photo Resolution of the menu to set.

Notice: The resolution of night vision enhancement mode is VGA, the image noise will be slightly larger and the digital zoom cannot be used.

5.3. New and Special Color Effects

The color effect function can be turned on in normal color mode and black and white mode with infrared light night vision:

Steps:

Long press "Color Effect / Screen Brightness Adjustment Button" ->Luminous Green Color Effect,
Long press "Color Effect / Screen Brightness Adjustment Button" ->Infrared light Color Effect,
Long press "Color Effect / Screen Brightness Adjustment Button" ->Get back to the normal color mode.

5.4. Adjust the display

The screen brightness is adjustable. You can adjust the screen brightness according to your needs. Long press the 360P night vision enhancement/ Screen brightness adjustment shortcut button to quickly switch the brightness level. It has 7 brightness levels. You can also press the MENU key to enter the menu and select the "Screen Brightness" option to set the brightness level.

5.5. Distance measurement

This device has the ranging function, in the photo or video mode, short press the Ranging button to enter the ranging mode. The center of the cross ranging icon on the screen of the device is aligned with the measured object and the distance value will be displayed on the


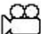

screen for real-time distance tracking. Press the ranging button again to exit the ranging mode.

Note:

1. In black & white mode, when the ranging function is enabled, a light spot flashing on the screen is a normal phenomenon.
2. Do not look directly at the laser beam when using the ranging function.
3. Do not touch the optical lenses. If dirty, gently wipe them with a lens cloth or alcohol.
4. The measurement target should have a medium reflectivity (such as light-colored walls), with the reflective surface perpendicular to or nearly perpendicular to the laser, free from rain, snow, smog, and direct sunlight to avoid affecting the accuracy.

5.6. Changing the modes

The night version has 3 different modes: photo mode, video mode and playback mode. Press the MENU button can change mode.

	Photo Mode	For taking still photos.
	Video Mode	For recording video.
	Playback Mode	For playing the recorded files.

5.7. Taking pictures

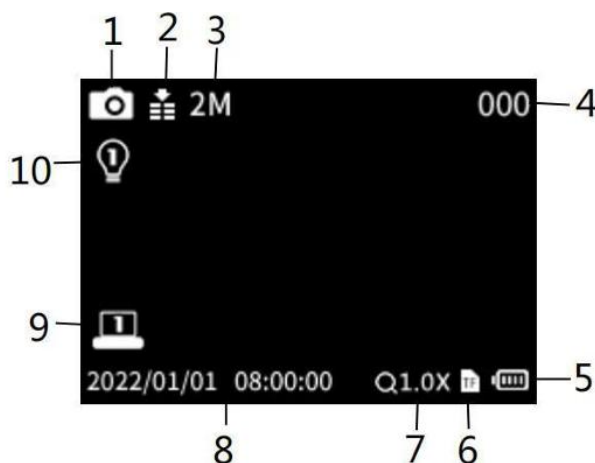


Fig.2. Taking pictures

- | | |
|----------------------------|---------------------------------------|
| 1. Photo mode | 2. Night vision sensitivity |
| 3. Photo resolution | 4. Number of photos that can be taken |
| 5. Battery status | 6. Micro SD card prompt |
| 7. Digital zoom indication | 8. Shooting time stamp |
| 9. Display brightness | 10. Infrared/white light gear |

- Turn on the device, the default is Video mode. Please long press the Menu/ Mode Button to switch to Photo mode.
- Zooming: Long pressing the IR Up/Zoom in/Up Button or IR Down/Zoom out / Down Button to zoom in or zoom out the image. The value of magnification level appears on the LCD screen.
- Take a still photo.
 - View your subject via the LCD screen.
 - Adjust the focus by turning the focus wheel.

- For night or insufficient light use, turn on the IR by pressing the IR Up/Zoom in/Up Button. Increase the brightness by pressing the button repeatedly. It has 7 levels of brightness. The brightness can be adjusted according to your needs. The light is dark, gear to adjust to the higher. Press the Shot/OK button to take a photo.

5.8. Recording Video

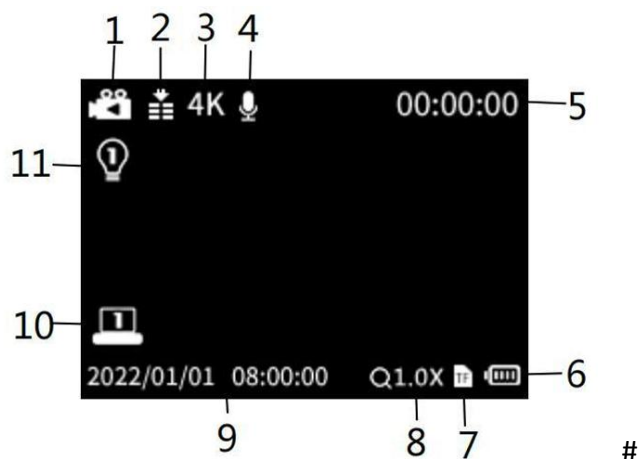


Fig.3. Recording video

- | | |
|------------------------------------|--------------------------------|
| 1. Video mode | 2. Night vision sensitivity |
| 3. Video resolution | 4. Recording switch indication |
| 5. Available video recording time | 6. Battery status |
| 7. Micro SD card prompt | 8. Digital zoom indication |
| 9. Shooting time stamp | 10. Display brightness |
| 11. Infrared light brightness gear | |

- Turn on the device, the default is Video mode. If not, long press the Menu/ Mode Button to switch to Video mode.
- Zooming: Long pressing the IR Up/Zoom in/Up Button or IR Down/Zoom out / Down Button to zoom in or zoom out the image. The value of magnification level appears on the LCD screen.
- Start to record video.
 - View your subject via the LCD screen.
 - Adjust the focus by turning the focus wheel.
- For night or insufficient light use, turn on the IR by pressing the IR Up/Zoom in/ Up Button. Increase the brightness by pressing the button repeatedly. It has 7 levels of brightness. The brightness can be adjusted according to your needs, darker and need adjusted more brightness
 - Press the Shutter /OK button to start to record. The record duration will be shown on the LCD screen.
- Finish recording.
 - Press the Shot button again to stop recording.
 - The device will stop recording automatically once capacity of the memory card is full.

5.9. Device power OFF

1. If the device is fully charged and cannot be turned on or the screen cannot move during use and cannot be turned off, please insert a small hard strip such as toothpick or wire into the RST hole, when you feel the resistance, press it then turn the device on.
2. Please use an universal USB power adapter* (DC 5V/2A) (*not included) to charge this device. After the TYPE-C USB is connected to the device, when the red light of the charging indicator of the device is on, long press the power button to turn on the device , unplug the TYPE-C USB to turn off the device ,which means that the built-in battery has no power and it needs to be fully charged.

5.10. Poor image

- If at day, make sure the IR is off (if IR is on, screen is black and white or the screen is coloured).
- If at night, make sure you have turned on the IR, press IR up (if IR is on, screen is black and white).
- Adjust the focus by slowing turning the Focus wheel, make sure it is focused.

5.11. Setting in photo and video mode

Short press Menu/ Mode button in photo or video mode, enter the menu to change the settings.

Menu	Function
Video Resolution	Set the video resolution. Options:360P enhanced night vision/HD/ FHD/4K
Photo Resolution	Set the photo resolution. Options:360P enhanced night vision/1M/ 2M/3M/ 5M /8M /12M/36M
Night Vision sensitivity	Select night vision sensitivity. Options: [Low]/[Mid]/[High]
Screen brightness	Adjust the screen brightness as required. Options: [Level1]/[Level 2]/[Level 3]/[Level 4]/ [Level 5]/[Level 6] / [Level 7]
Video Frame	You can set different frame rates according to different scenes (the lower the frame rate, the higher the night vision brightness, but the choppy the video picture will be when there is movement). Options: Auto/5FPS/ 10FPS /15FPS/ 20FPS/ 25FPS /30FPS
Range finding icon	The ranging icon can be selected according to the requirements. Options: [off] / [Icon 1]/ [Icon2]/[Icon3] / [Icon4] [Icon5] / [Icon6] / [Icon7] [Icon8]
Audio	ON/Off.
Date Tag	ON/Off.

Time Setting	Set the date and time of device. Press the up or down button to adjust the date or time, press the OK button to move the cursor between settings, select "Confirm" and press the OK button to complete all Settings.
Auto power-off	Set the time to shut down the device for power saving if the device is idle. Options: [Off]/[1min]/[3min]/[5min]/[10min]
Language Setting	Set OSD (on-screen) language. Options: [English]/[Русский]/ [Français] / [Deutsch]/[Italia]/[Español]/ [Portugués]/ [Nederlands]/[Čeština]/[Polski]/ [Türkiye]
Power Frequency	Set the light source frequency to match frequency of electricity supply in local region to prevent interference. Options:[50Hz]/[60Hz]
Format	Format your Micro SD card. Format Micro SD will delete all files including the protected files. Please copy the important files before confirm. Options: [Confirm]/[Cancel]
Restore System	Restore the setup to factory default settings. Options: [Confirm]/[Cancel]
Version	User can see the firmware version information.

5.12. Playback

- Turn on the device, press the Menu/ Mode button to switch to playback mode.
- Press Up/Down button to view photos and video files.
- Playback the video
 - Press the Shutter/OK button to start playing the video files.
 - Press the Shutter/OK button again to have a pause.
 - Press Menu/ Mode button to stop the current video playing.

Press Menu/ Mode button in playback mode, the screen will display the playback menu. Press Up/Down button to scan lock or delete. And press Shot button to select one to enter the sub-menu.

Playback menu list :

Menu	Function
Delete	Delete the current file in memory card. Options: [Confirm]/[Cancel]
Delete All	Delete All Delete all files in memory card. Options: [Confirm]/[Cancel]
Lock This	Lock This Lock the current file in memory card. Options: [Confirm]/[Cancel]
Unlock This	Unlock the current file in memory card. Options: [Confirm]/[Cancel]
Lock All	Lock the all files in memory card. Options: [Confirm]/[Cancel]
Unlock All	Unlock All Unlock the all files in memory card. Options: [Confirm]/[Cancel]

6. Download files to PC

There are two ways to download files from the device to a computer:

1. By inserting the memory card into a card reader.
2. By connecting the device to a computer using the supplied TYPE-C USB cable.

7. Using a card reader

1. Eject the memory card from the device and insert it into a card reader. Then connect the card reader to a computer.
2. Open [My Computer] or [Windows Explorer] and double-click the removable disk icon that represents the memory card.
3. Copy images from the card into a directory of your choice on the computer's hard disk.

8. Connecting the device to a PC through the USB cable

1. Turn on the night vision. Connect it to a computer through the supplied TYPE-C USB cable.
2. Select "Memory" on the screen of device, press the OK button to enter the removable disk mode.
3. Open [My Computer] or [Windows Explorer]. A "Removable Disk" appears in the drive list. Double click the "Removable Disk" icon to view its contents. Files stored on the camera are located in the folder named "DCIM".
4. Copy the photos or files to your computer.

9. Notes on cleaning

Before cleaning the device, disconnect it from the power supply! Only use a dry cloth to clean the exterior of the device. To avoid damaging the electronics, do not use any cleaning fluid. Clean the eyepieces and/or lenses only with a soft, lint-free cloth, (e.g. microfibre cloth). To avoid scratching the lenses, use only gentle pressure with the cleaning cloth. Protect the device from dust and moisture. Store it in a bag or box.

10. Warm tips

1. The lens of this night vision device has a small Angle of view, which is mainly suitable for viewing long-distance environment.
2. This product is a monocular night vision device; In order to ensure the viewing effect, the eye must be close to the eyepiece when using, it is recommended to close the other eye.