

Ork Hunter NIGHT HB-5
SKU: 7057

User Manual

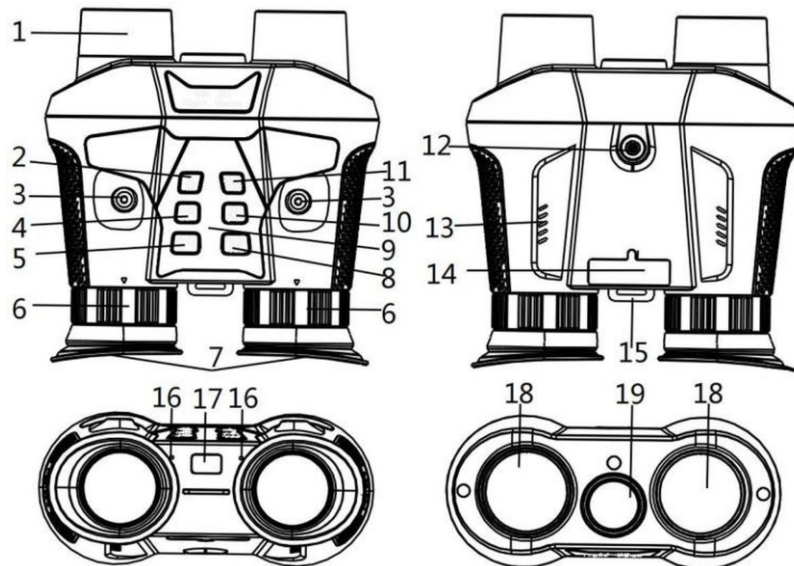


ARSENAL

Contents

Product Overview	2
Specification	3
About Charge	4
Inserting Memory Card	4
Basic operation	4
Attention	7
IR – LED (Night vision function)	7
Applying Color Effects	7
Settings in Camera and Video Mode	8
Playback	9
Strap lanyard installation	9
Download files to PC	10
Cleaning	13
Warm Tips	13

Product Overview



1. Lens focus wheel
2. Power/Mode button
3. Helmet Bracket Fixing Screw
4. UP/IR UP/Zoom In button
5. Down/IR Down/Zoom Out button
6. Eyepiece Diopter Adjusting Wheel
7. Eyepiece/Display Screen
8. OK/Shutter/Delete button
9. Power indicator light
10. 360P Night Vision Enhance/Clear screen button
11. Menu/Sync button
12. Bracket fixing screw
13. Speaker
14. USB Port Charge indicator light, Reset hole RST, Micro SD Card Slot, Cover
15. Rope hole
16. Mic hole
17. Screensaver distance sensor
18. Lens
19. Infrared light transmitter

Specification

Product		
Product Name	Ork Hunter	
Model	NIGHT HB-5	
SKU	7057	
Imaging & Display		
3D Photo resolution	4032×3024*2, 3920×2940*2, 3264×2448*2, 2592×1944*2, 2048×1536*2, 1600×1200*2, 1280×960*2, 640×360*2	
3D Video resolution	FHD - 1920×1080*2, 1080P - 1440×1080*2, HD - 1280×720*2, 360P - 640×360*2	
Night vision enhancement	Black & White	
Display Brightness	7 levels	
Video frame rate FPS	Auto, Manual 5 - 30FPS	
OSD	Yes	
Date Stamps	Support on photo and video	
3D view software	Merge Synthesis Tools	
Auto off	1, 3, 5,10 minutes	
Vision		
Lens	Dual	
Focus	Manual rotation focusing	
Aperture	F1.2	
Focal Length	25 mm	
FOV (Field of View)	10°	
Digital Zoom	×6	
IR Levels	3-7 (depending on battery power level)	
Night Vision sensitivity	3 levels	
Color Effect	Color, Luminous Green, IR Light, Black & White	
Visual distance	Total darkness	700 meters
	Weak light	1000 meters
Vision adjustable	Diopter +/- 4	
Physical		
IR LED	3W, 850nm IR, (7 levels adjustment)	
Display screen	Dual	
Audio	Speaker and Microphone	
Storage	Double TF card, up to 512GB*	
Eye Sensor	Yes	
Operation Buttons	6	
USB Port	Type-C	
PC Mode	USB Flash Drive	
Power Supply	3600mAh Lithium battery, USB Type-C rechargeable	
Protection Class	IP54	
*Recording requires both cards to be inserted.		
Common		
Operation Temperature	-20°C to +50°C	
Dimension (L*W*H)	135*125*58mm	
Weigh	342g	

Notice:

- You can select and set different frame rates according to different scenes (the lower frame rate, the higher the night vision brightness)
- Multiple languages are available

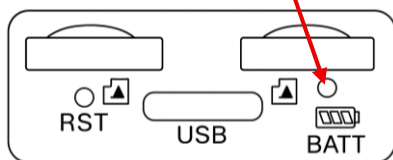
Documentation:



<https://doc.partizan.global/sku/7057>

About Charge

Charge indicator light



The device itself has a built-in rechargeable battery, so fully charge it before using it for the first time.

Please use a universal USB power adapter *(DC 5V/2A) (*not included) to charge the device. When charging, the charging indicator light on the left side of TYPE-C USB port will turn red; When fully charged, the charge indicator light turns blue. (If the device is charged completely without power, it will be fully charged in about 4 hours.)

Inserting Memory Card

1. Please prepare two identical Micro SD cards in advance (it is recommended to use brand cards above class 10), otherwise the picture displayed on the left and right lens may not be synchronized.
2. Open the card slot cover, you will see the card slot.
3. Ensure that the Micro SD card is in the right direction and insert two Micro SD cards into the card slot separately.
4. Format the Micro SD card, this can improve the compatibility of Micro SD card.
5. To remove the card from the memory card slot of the device, press the edge of the memory card in gently, the card will pop out. Then remove the card.

Notice:

If the Micro SD card is not inserted or the card is not inserted correctly or only one Micro SD card is inserted, the SD card icon and the number of photos that can be taken or the recording time will not appear on the display screen when the device is turned on and the prompt "No Card" will appear when the Shutter button is pressed.

Basic operation

Turn On and Turn Off

- Long press the Power/Mode button for 3 seconds to turn on the 3DVR camera.
- Long press the Power/Mode button again for 3 seconds to turn off the 3DVR camera.

Distance screen saver

If you are not close to the screen saver distance sensor or eyepiece, the display will automatically turn off the screen to save power, and the display will automatically turn on when you are close to the eyepiece.

If you do not need this function or are outside in strong sunlight, please enter the menu to find the corresponding option to turn it off.

Night Vision Enhanced Mode

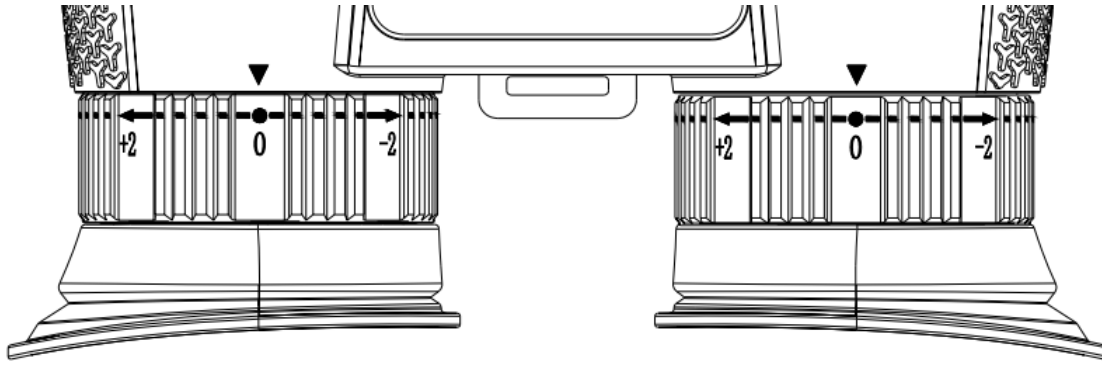
Night vision enhancement mode is twice as bright as normal night vision mode; In photo or video mode, short press the EN button to quickly switch to night vision enhancement mode.

You can also select "**360P ENV**" in the Video/Photo Resolution of the menu to set.

Notice:

The resolution of night vision enhancement mode (360P ENV) is VGA, the image noise will be slightly larger and the digital zoom can not be used.

Eyepiece/display adjustment



After you turn on the device, please press the MENU button to enter the menu.

Check the eyepiece/display, if the MENU font is not clear, close the left eye and the right eye respectively, rotate the left eye/right eyepiece diopter adjustment wheel respectively. If you have normal vision, adjust the scale on the dioptic wheel to "0"

If near-sighted, adjust to "-"; If far-sighted, adjust to "+", until the menu font is the most clear, press the Menu button again to exit the menu. Then watch the actual scenery, if you see 2 pictures, please stare at the scenery a little further away for a while to adapt slightly, so that the left/right 2 pictures completely coincide

If the light is not enough or is used at night, please short press the IR/+ enlarge button to turn on the infrared light, please select the IR gear according to the current light.




The darker the light, the higher the level adjustment. Long press the Up /IR Up/Zoom in button to zoom.

Lens Focus Adjustment

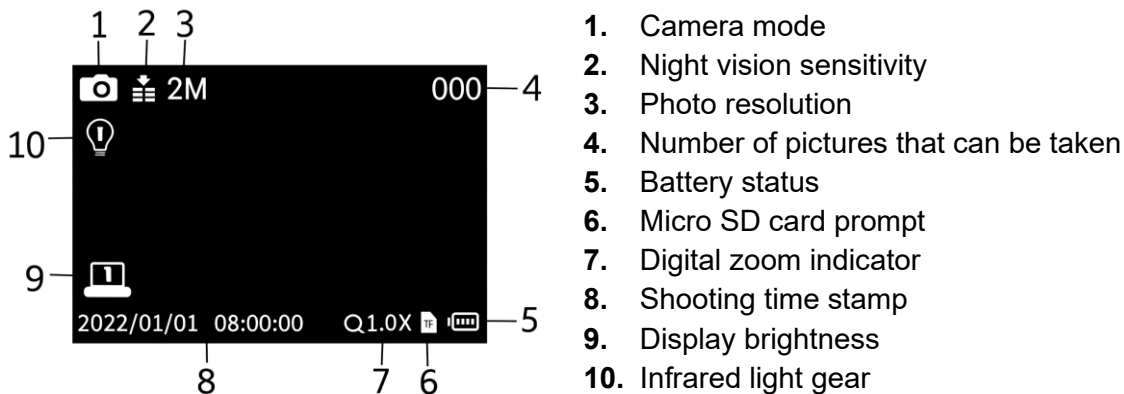
After the eyepiece refraction adjustment is clear, please adjust the lens focal length by slowly turning the lens focusing wheel to the left or right according to the actual viewing distance. It is necessary to adjust the focal length of the lens repeatedly until the display is clearest.

Changing The Modes

This 3DVR camera has 3 modes: Camera mode, video mode and playback mode. Press the Power/Mode button to switch between different modes.

	Camera Mode	For taking still photos.
	Video Mode	For recording video.
	Playback Mode	For playing the recorded files.

Camera mode



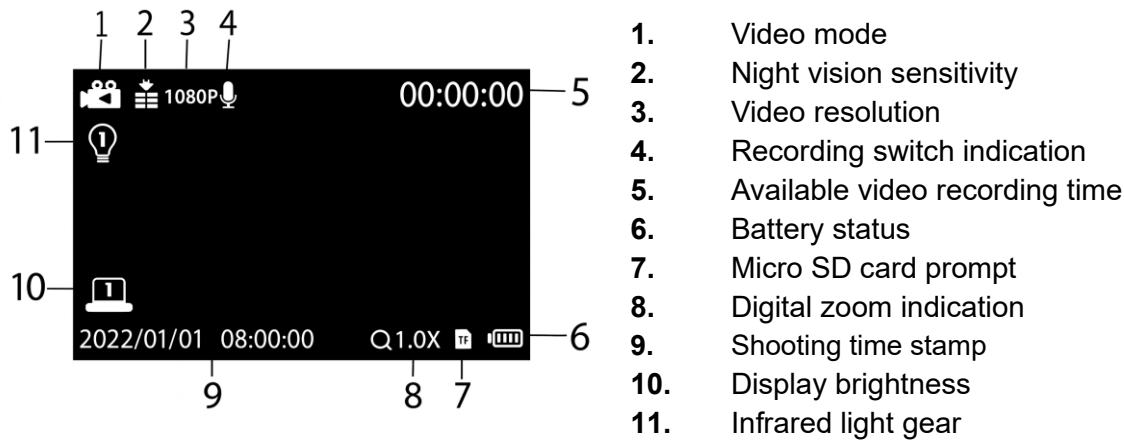
1) Turn on the device, the default is Video mode. Please press the Power/Mode button to **switch to Camera mode**. View your subject via the LCD screen.

2) **Zooming:** Long press the Up/IR Up/Zoom In button or the Down/IR Down/Zoom out button to zoom in or zoom out the image. The value of magnification level appears on the LCD screen.

For night or insufficient light use, turn on the **IR by short press** the Up/IR Up/Zoom button. Increase the brightness by pressing the button repeatedly. It has 7 levels of brightness (0> 1> 2> 3> 4> 5> 6> 7> 0...) Short press Down/IR Down/Zoom out button to reduce the brightness. The brightness can be adjusted according to your needs. The darker the light, the higher the gear adjustment.

3) Take a still photo. Press the **OK/Shutter/Delete** button № 8 to take a photo.

Video mode



1) Turn on the device, the default is **Video mode**. If not, press the Power/Mode button to switch to Video mode.

2) **Zooming: Long press** the Up/IR Up/Zoom In button or the Down/IR Down/Zoom out button to zoom in or zoom out the image. The value of magnification level appears on the LCD screen.

3) Start to record video.

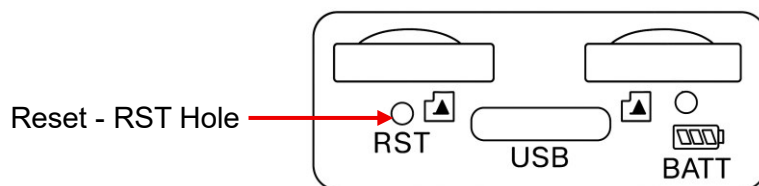
- View your subject via the LCD screen.
- For night or insufficient light use, turn on the **IR by short press** the Up/IR Up/Zoom In button. Increase the brightness by pressing the button repeatedly. It has 7 levels of brightness (0> 1> 2> 3> 4> 5> 6> 7> 0...).
- **Short press** Down/IR Down/Zoom Out button to reduce the **brightness**. The brightness can be adjusted according to your needs. The darker the light, the higher the gear adjustment.
- Press the **OK/Shutter/Delete** button to start to record (When shooting, try not to shake the camera too much and move too fast, so as not to affect the 3D effect). The record duration will be shown on the LCD screen.

4) Finish recording.

- Press the **OK/Shutter/Delete** button again to stop recording.
- The device will stop recording automatically once capacity of the memory card is full.

Attention

Device Power Off



- 1) If the device is fully charged and cannot be turned on or the screen cannot move during use and cannot be turned off, please insert a small hard strip such as toothpick or wire into the **RST** hole, when you feel the resistance, press it and then turn it on.
- 2) Please use a universal USB power adapter *(DC 5V/2A) (*not included) to charge the device. After the TYPE-C USB is connected to the device, when the charging indicator is red, long press the power button to start, and unplug the TYPE-C USB and then shut down, indicating that the internal battery is out of power, and it needs to be fully charged or external mobile power supply.

Poor Image

- If you wear glasses when using a helmet or helmet strap, please remove glasses when using the device. If you do not use a helmet, you can wear glasses to use the device.
- Adjust the left/right eyepiece diopter wheel by slowly turning it until the display is clear.
- If used during the day, make sure that the infrared light is turned off (if the infrared light is turned on, the screen will show black and white, if the infrared light is turned off, the screen will show color)
- For use at night or in low light, make sure the IR light is turned on, and then press the **Up/IR Up/Zoom In** button (if the IR light is turned on, the screen is black and white) to adjust the most appropriate brightness according to the actual situation.

IR – LED (Night vision function)

In Photo/Video mode, if you have to view the darkness environment, please short press Up/IR Up/Zoom In button to activate the IR LED, the image will change to black and white.

The IR LED have seven power levels, short press Up/IR Up/Zoom In button to up the level, short press Down/IR Down/Zoom Out button to down the level.

Notice:

If the battery voltage is not enough, the IR LED level will go down automatically.

IR level can go up to 7 levels when the battery power is full. If left only half power, the level just can up to 5. If only 25% power is left, the level just can up to 3.

If the battery power is lower than 25%, IR LED cannot be activated.

Applying Color Effects

1. To apply a color effect to the image, select either the Normal or Night Vision viewing mode.
2. Press the **MENU/SYNC** button.
3. Use the **IR/DOWN** button to navigate to the **Color Effects** menu item.
4. Press **OK/DEL** to enter the selection.
5. Use the Up/IR Up/Zoom In or Down/IR Down/Zoom Out buttons to select the required color effect.
6. Press **OK/DEL** to confirm the selection.
7. Press the **MENU/SYNC** button to exit and apply the effect to the image.

Settings in Camera and Video Mode

Press Menu button in camera or video mode, can change the settings.

Menu	Function
Video Resolution	Set the video resolution. Options: 360P ENV, HD, FHD, 1080P
Photo Resolution	Set the photo resolution. Options: 360P ENV, 1M, 2M, 3M, 5M, 8M, 12M, 36M
Night vision sensitivity	Choose the night vision sensitivity. Options: Low, Mid, High
Color Effects	Applying a color effect to the image. Color, Luminous Green, Infrared Light, Black White
Screen brightness	Adjust the screen brightness as required. Options: Level 1, Level 2, Level 3, Level 4, Level 5, Level 6, Level 7
Screen savers	ON / Off
Power light	ON / Off
Video Frame	You can set different frame rates according to different scenes (the lower the frame rate, the higher the night vision brightness, but the more sluggish the video picture when moving). Options: Auto, 5FPS, 10FPS, 15FPS, 20FPS, 25FPS, 30FPS
Audio	On / Off
Date Tag	On / Off
Beep sound	On / Off
Time Setting	Set the time and date of the device. Press the Up or Down buttons to adjust the time, press the Power/Mode button to move the cursor between Settings, press the OK button to complete all Settings
Auto power-off	Set the time to shut down the device for power saving if the device is idle. Options: Off, 1min, 3min, 5min, 10min
Language Setting	Set OSD (on-screen) language. Options: English, Russian, French, German, Italian, Spanish, Portuguese, Dutch, Czech, Polish, Turkish
Power Frequency	Set the light source frequency to match frequency of electricity supply in local region to prevent interference. Options: 50Hz / 60Hz
Format	Formatting the memory card will delete all files, including the locked files. Please copy important files to your computer before formatting. Options: Confirm / Cancel
Reset System	Restore the setup to factory default settings. Options: Confirm / Cancel
Version	User can see the firmware version information

Playback

1. Turn on the device, press the Power/Mode button to switch to playback mode.
2. Press Up or Down button to view photos and video files.
3. Playback the video.
 - Press OK button to start playing video files.
 - Press OK again to pause play.
 - Press MENU button to stop playing the current video.
 - Press MENU button in playback mode, the screen will display the playback menu.
 - Press Up/Down button to scan lock or delete, and press OK button to select one to enter the sub-menu.
 - Press the MENU button to return to the previous menu.

Playback menu list

Menu	Function
Delete	Delete the current file in memory card. Options: Confirm / Cancel
Delete All	Delete all files in memory card. Options: Confirm / Cancel
Lock This	Lock the current file in memory card. Options: Confirm / Cancel
Unlock This	Unlock the current file in memory card. Options: Confirm / Cancel
Unlock All	Unlock all files in memory card. Options: Confirm / Cancel

Strap lanyard installation

Strap lanyard installation steps:

- 1) To take out one end of the Webbing from the buckle (as shown below):



- 2) Thread the Webbing with the Buckle and the square buckle into the Buckle hole of the device (as shown below):



3) Pull the Webbing in the Buckle slightly loose (as shown below):



4) Insert the Webbing head into one hole of the Buckle and out through the other hole (as shown below):



5) After straightening the Webbing and tidy up, put the Webbing head into the square buckle (as shown below):



Download files to PC

There are two ways to download files from the device to a computer:

- By inserting the memory card into a card reader.
- By connecting the device to a computer using the supplied USB cable.

Using a Card Reader

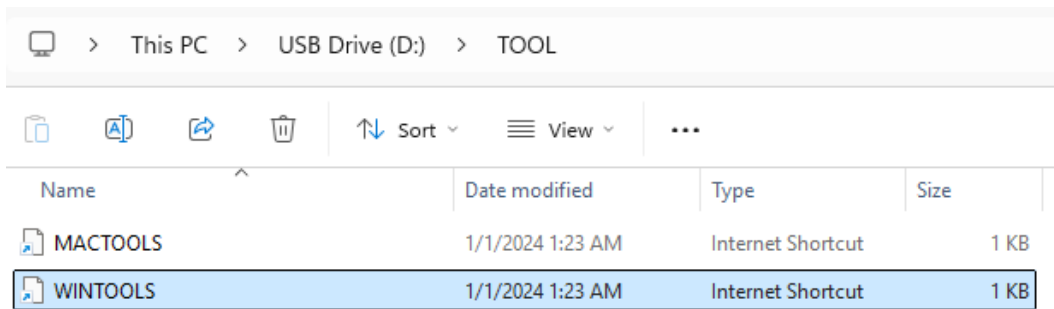
- 1) Eject the left and right Micro SD cards from the device, then insert them into the card reader and connect them to the computer.
- 2) Open the My computer or Windows Explorer, find the removable disk on behalf of the memory card.
- 3) Copy the files from the left and right memory cards to a directory of your choice on your computer and then use the dedicated photo and video compositing tool to combine 3DVR photos and videos.

Connect 3DVR camera to computer via USB

- 1) Turn on the 3DVR camera. Connect the camera to the computer via a TYPE-C USB cable.
- 2) After the "USB icon" is displayed on the camera screen, the camera automatically enters the removable disk mode.
- 3) Open My Computer or Windows Explorer and pop up 2 removable disks (one for the left Micro SD card and the other for the right Micro SD card).
- 4) Copy the files from the left and right Micro SD cards to a directory of your choice on your computer and then use the dedicated photo and video compositing tool to combine 3DVR photos and videos.

Photo synthesis 3DVR file

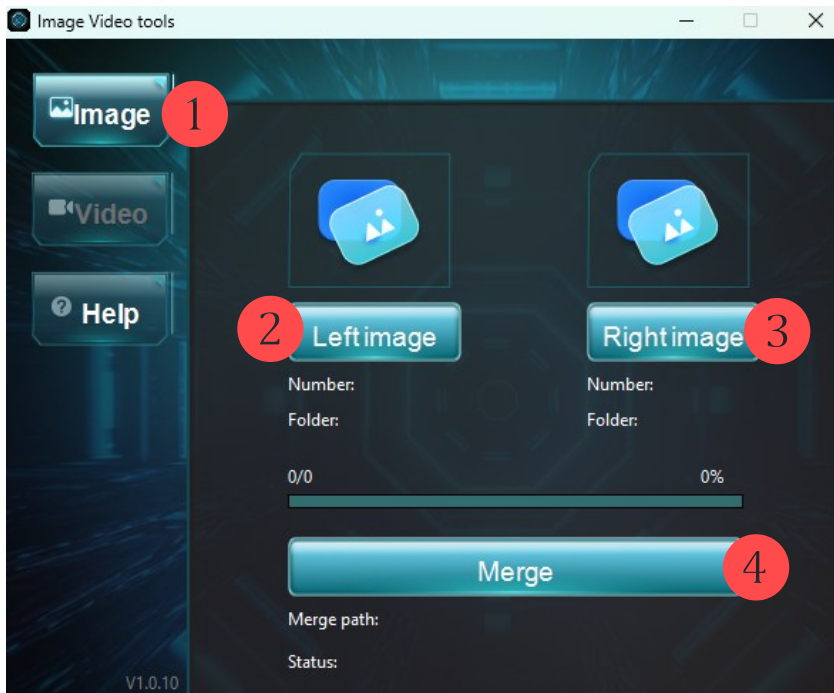
- 1) Connect the 3D camera to the computer using a TYPE-C USB cable, and 2 removable storage disks pop up on the computer.
- 2) Open the TOOL folder in the TF storage card of the 3D camera and press the download link of "**Image Video Synthesis Tools**" to **Download** the picture and video synthesis tool to the computer. Unzip or Extract downloaded file.



- 3) Open the "Image Video Synthesis Tools" on the computer, and the interface of the tool pops up.

- ① Select the "**Image**" button to synthesize the picture.
- ② Click the "Left image" to select the picture in the PHOTOL folder
- ③ Click the "Right image" to select the picture in the PHOTOR folder,
- ④ Finally click the "Merge" button.

After selecting the storage path, 3DVR images in left and right formats are synthesized and spliced.



Video synthesis 3DVR file

- ① Select "Video" button to synthesize video.
- ② Click "Left video" to select the video in the VIDEOL folder.
- ③ Then click "Right video" to select the video in the VIDEOR folder
- ④ Finally click "Merge" button to select the storage path to synthesize and splice the left and right format 3DVR video frequency.



Open the synthesized folder on your computer to view 3D pictures or 3D videos, the synthesized 3D photos and videos can be played and viewed on the following 3D devices.

Professional 3D display: please select "Left and Right Format" on the polarized 3D display to play and wear polarized 3D glasses to watch (the best viewing distance is 2-3 meters).



Ordinary display: Please select a video player (VLC) with 3D function, import 3DVR video, open the 3D mode of the player, set "Left and Right format" and "Red and blue dual color" to play, wear 3D red and blue glasses to watch.



VR headset: Please download 3DVR photos and videos to the mobile phone, and the mobile phone is loaded into the VR headset for playback and viewing.

Notice:

- Picture and video composer is only compatible with windows supporting win7 64-bit and above systems; Apple Mac supports macOS Monterey 12.7.4 and up after 2015.
- Because there is no standard for naked-eye 3D displays, there are compatibility differences, and the 3D files synthesized by this product may not be good for view on naked-eye 3D displays.

Cleaning

- Before cleaning the device, disconnect it from the power supply!
- Only use dry cloth to clean the exterior of the device.
- To avoid damaging the electronics, do not use any cleaning fluid.
- When cleaning the eyepieces or lenses use soft, lint-free cloth, (e.g. microfiber cloth).
- To avoid scratching the lenses, use only gentle pressure with the cleaning cloth.
- Protect the device from dust and moisture.
- Store it in a bag or box.

Warm Tips

- It is recommended not to wear the head to watch the 3DVR camera walking, so as not to fall, please turn the 3DVR camera up to the helmet stand when walking.
- If in the process of use, there is a function MENU on the left and the right display is not synchronized, please long press the "MENU" button for fast synchronization.
- When shooting, the 3DVR camera should try not to shake too much and move too fast, so as not to affect the 3D playback effect or feel dizzy and uncomfortable when watching 3D images.
- This product is a 3DVR camera with a small lens Angle, it is recommended to watch or shoot the scene at a distance of 10 meters, so as not to affect the 3D effect.
- In the strong sunlight environment, the distance screen saver function will fail, need to enter the menu to find the corresponding option to set it off.